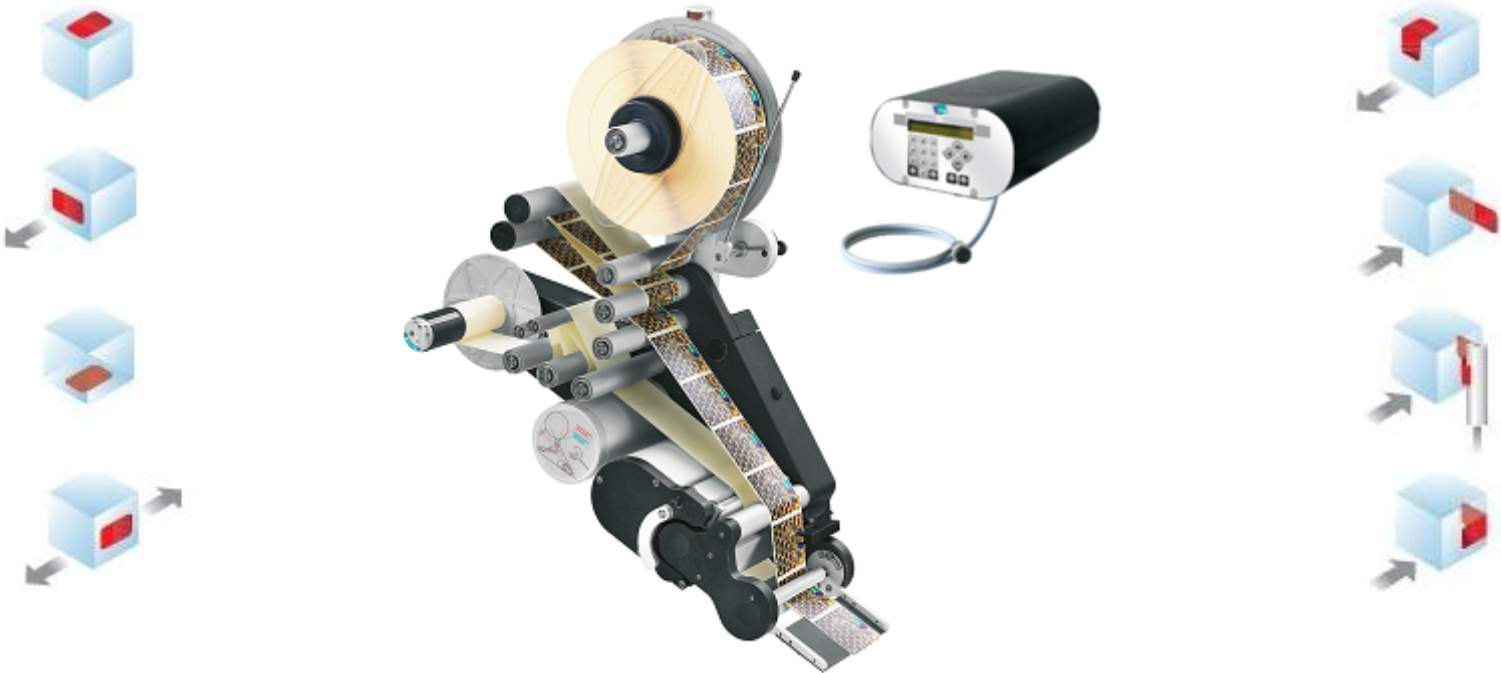




WIND L80/L250 LABELLER



INDUSTRIAL STRENGTH

- ❖ Stainless steel fasteners and aluminium cast structure
- ❖ Operating 24/7
- ❖ Maximum productivity :automatic application even at very high speeds and in "no-stop" configuration

DESIGN AND STATE-OF-THE-ART TECHNOLOGY

- ❖ Label reel housing fitted with a special inflexible fibreglass polymer disk
- ❖ Metallic black colour epoxy powder paintwork, scratch and corrosion proof
- ❖ Drive unit easy to open and totally accessible to guarantee quick interventions
- ❖ Independently driven motor for rewind unit prevents liner slippage, equipped with expandable mandrel - Patented 180° drive mechanism prevents liner slippage
- ❖ Independent Control Unit

VERSATILITY

- ❖ WIND can apply labels on top, bottom, in front, on the back, on the side and around the corner of the product. Available in right or left hand versions
- ❖ Labels reel housing available up to Ø 380 mm
- ❖ available in TWIN LABELLER ® for no-stop configuration

SAFETY

- ❖ Sharp edges; encased or button head screws reel housing and liner rewinder disks designed without holes for maximum safety.
- ❖ drive unit with "Dual Spring" and "Safe Opening Systems"

CE marking (in conformity with 98/37/CE standard)

MAIN CHARACTERISTICS :

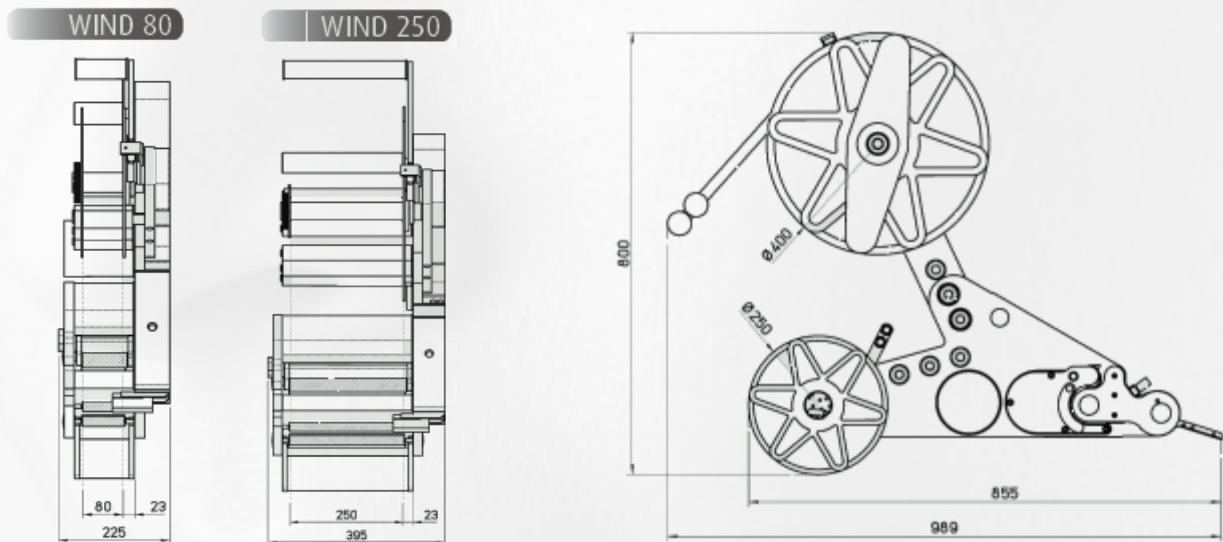
- ❖ Label reel housing diameter : External reel max. 380mm, core 45 or 75mm
- ❖ Usable liner width: Max 80/250 mm, Min 12 mm
- ❖ Dispensable label width: Max. 76/246 mm Min. 8 mm
- ❖ Minimum gap between labels: 2 mm
- ❖ Max dispensing speed : 100 meters / min (*)
- ❖ Labelling frequency : up to 1200 labels / min. (*)
- ❖ Accuracy : +/- 0.5 mm (**)
- ❖ Power Supply : 230V - 50 Hz or 110V and 60 Hz

(*) effective application frequency and achievable depends on the dimensions and materials used for the labels and liners, gap between products, and type of peeler/appliator installed.

(**) with a standard rigid peeler and state-of-the-art labels, contained within ± 0.5 mm).

❖ Independent Control Unit

The control unit is integrated to the machine frame and is equipped with an operator interface (multi-language equipped with operator interface panel with membrane keyboard and LCD and back lit LCD. The firmware allows for the memorization of 100 "label programs" recalling the following settings: pre-dispensing, labelling speed, labelling point (application delay), encoder management, acceleration ramp, etc.



Available with Various Supports, Adjustments, Applicators.....

