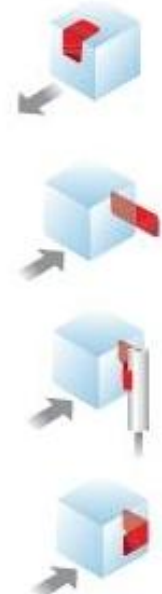
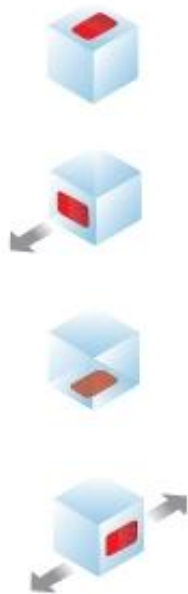




LABELLER EVOLUTION 160/240



INDUSTRIAL STRENGTH

- ❖ Stainless steel fasteners and aluminium cast structure
- ❖ Operating 24/7

DESIGN AND STATE-OF-THE-ART TECHNOLOGY

- ❖ Label reel housing fitted with a special inflexible fibreglass polymer disk
- ❖ Metallic black colour epoxy powder coating, scratch and corrosion proof
- ❖ Drive unit easy to open and totally accessible to guarantee quick interventions
- ❖ Integrated or Remote Control Unit

VERSATILITY

- ❖ EVOLUTION 160 can apply labels on top, bottom, in front, on the back, on the side and around the corner of the product, and is available in right or left hand versions
- ❖ Labels reel housing available up to Ø 360 mm
- ❖ Limited linear space required
- ❖ Available in TWIN LABELLER ® for no-stop configuration

SAFETY

- ❖ Limited sharp edges; encased or button head screws reel housing and liner rewinder disks designed without holes for maximum safety.

CE marking (in conformity with 98/37/CE standard)

Rev. 03-2011

MAIN CHARACTERISTICS :

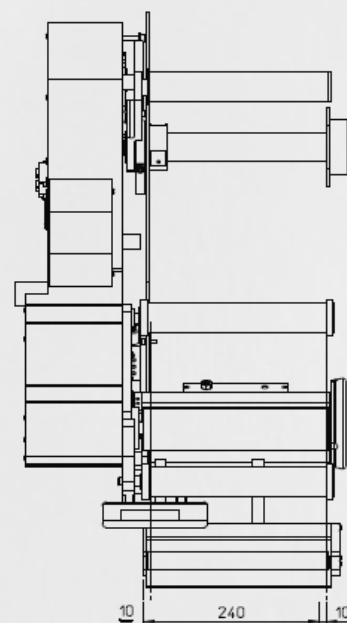
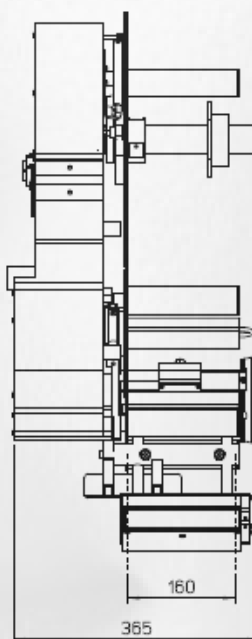
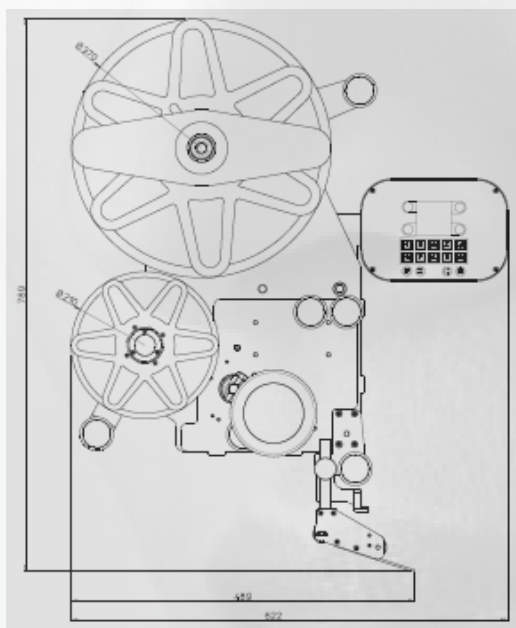
- ❖ Label reel housing diameter : External reel max. 360mm, core 45 or 75mm
- ❖ Usable liner width: Max 160/240 mm, Min 16/30 mm
- ❖ Dispensable label width: Max. 156/236 mm Min. 12/26 mm
- ❖ Minimum gap between labels: 2 mm
- ❖ Max dispensing speed : 50/40 meters / min (*)
- ❖ Labelling frequency : up to 800 labels / min. (*)
- ❖ Accuracy : +/- 0.5 mm (**)
- ❖ Power Supply : 230V - 50 Hz or 110V and 60 Hz

(*) effective application frequency depends on the dimensions and materials used for the labels and liners, gap between products, and type of peeler/appliator installed.

(**) with a standard rigid peeler and state-of-the-art labels, contained within ± 0.5 mm).

The machine frame includes:

- ❖ An integrated control unit; operator interface with membrane keyboards and graphic display back lighted by a 2,7" led. Multilanguage menu (Italian, English, French, German, Spanish, Portuguese and Russian) and different authorization levels "Operator", "Supervisor" and "Maintenance Servicer" (Supervisor and Maintenance Servicer menus are password protected). The firmware allows for the memorization of 100 "label programs" recalling many different settings : pre-dispensing, labelling speed, labelling point (application delay), encoder management, acceleration ramp, etc.



Available with Various Supports, Adjustments, Applicators.....

